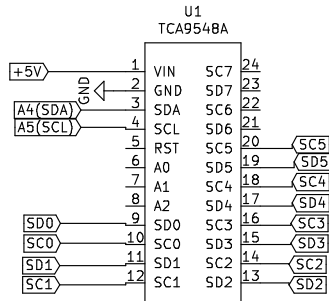
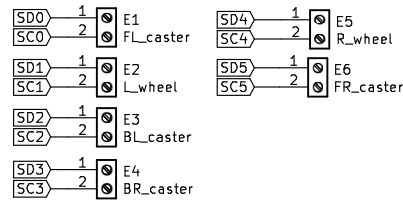


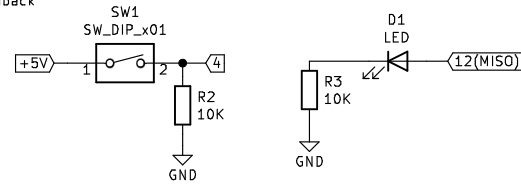
I2C Multiplexer



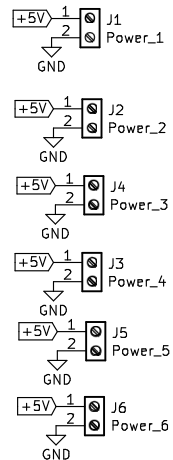
Encoders



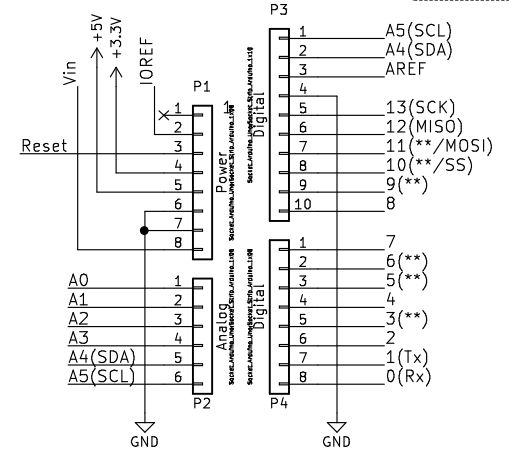
Feedback



Power



Shield for Arduino that uses the same pin disposition like "Uno" board Rev 3.



Designed by Christian
LUCI, LLC
 Sheet: /
 File: Shiled.sch

Title: Encoder Shield

Size: A4 Date: 09-13-21
 KiCad E.D.A. kicad 5.1.10-88a1d61d5890ubuntu20.04.1

Rev: Version 1
 Id: 1/1